



GE SERIES

# HIGH PERFORMANCE IEC CONNECTOR FILTERS



## INTRODUCTIONS

1. A high performance general purpose filter with an IEC connector providing effective EMI suppression.
2. Bleeder resistor can be added with suffix "-R" on part numbers, except "G3H", "G3V", "W3V", "G3J", "W3J", types.
3. All part numbers are UL recongnized, CAS certified and VDE approved.
4. With optional Y-Cap from 100pF to 3300pF.
5. Safety under apply for 03/06/10GEEG3U series.

## COMPONENTS

PART NO.	Cx (uF)	L (mH)	Cy (pF)	R (Ω)
01GEEG3E/W3E/-R	0.1	6.5	2200	1M
01GEEG3H/G3V/W3V		3	3300	-
01GEEG3S/-R		10.5	-	-
03GEEG3E/W3E/W3ES/G3U/-R		2.5	2200	1M
• 03GEEW3ES/-R				
03GEEG3H/G3V/W3V		4	3300	-
03GEEG3S/-R				
• 03GEEW3Q/W3Q-R		2.4	2200	1M
03GEEW3J				
03GEEH3J		0.8	3300	-
06GEEG3E/W3E/W3ES/G3U/-R				
06GEEG3H/G3V/W3V		1.05	-	-
06GEEG3S/-R				
•• 06GEEG3Q/W3Q-R		0.4	2200	1M
••• 10GEEG3C/W3C/-R				
10GEEG3E/W3E/W3ES/G3U/-R		0.2	-	-
10GEEG3S/-R				
* 10GEEG3Q/W3Q-R		0.3	-	-
** 15GEEG3E/W3E/-R				
*** 20GEEG3E/W3E/-R		0.3	-	-

- UL, CSA approved to 4A 115/250V
- UL, CSA approved to 8A 115/250V
- VDE approved to 8A/250V
- \* UL, CSA approved to 13A 115/250V
- \*\* VDE approved to 10A/250V
- \*\*\* VDE approved to 16A/250V

## MINIMUM INSERTION LOSS IN dB

CURRENT RATING	COMMON MODE (L-G) IN 50 OHM SYSTEM					
	FREQUENCY-MHz					
	.15	.50	1.0	5.0	10	30
1A(E)(S)	28	35	38	38	40	40
1A(H)	26	36	44	54	55	55
1A(G3V)	24	35	42	50	55	55
1A(W3V)	24	35	42	50	55	55
3A(E)(S)(Q)	20	25	30	38	40	40
3A(H)	24	30	38	50	55	40
3A(G3J, W3J)	20	25	30	38	40	40
3A(G3V)(W3V)	20	29	36	48	46	50
6A(E)(S)	12	18	24	35	40	40
6A(H)	15	25	28	35	45	45
6A(Q)	15	20	24	35	40	55
6A(G3V)(W3V)	14	23	30	42	45	50
10A(E)(S)	4	10	13	28	35	40
10A(C)	10	15	15	25	30	35
10A(Q)	10	12	15	30	32	45
15A(E)	4	10	13	28	35	40
20A	8	10	15	25	30	35

## SPECIFICATIONS

1. Maximum leakage current each line-to-ground @ 115VAC 60Hz: 0.25mA @ 250VAC 50Hz: 0.45mA
2. Hipot rating (one minute) line-to-ground: 2250VDC line-to-line: 1450VDC
3. Operating frequency: 50/60Hz
4. Rated voltage: 115/250VAC

## ELECTRICAL SCHEMATIC



## INSERTION LOSS (TYPICAL)

03GEEG3E ----- COMMON MODE ----- DIFF. MODE  
06GEEG3E ----- COMMON MODE ----- DIFF. MODE



20GEEG3E ----- COMMON MODE ----- DIFF. MODE





**MECHANICAL CONSTRUCTION**



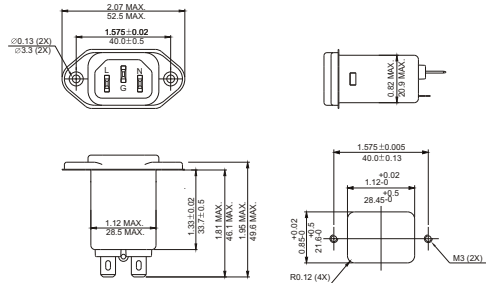
EG3E, EG3Q (Optional soldering lug or wire type)



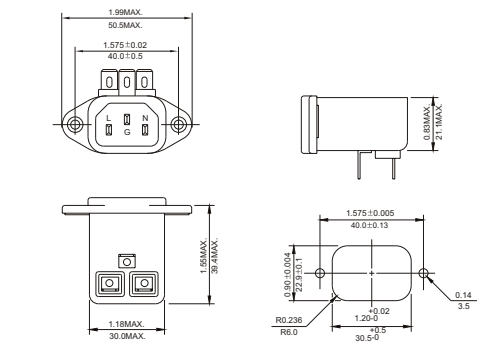
EG3S



EG3U (With Compact Size)



EG3V



EW3V



IEC INLET FILTERS

UNIT: INCH  
mm

ALL WIRE LEADS 4.0" LONG MIN.

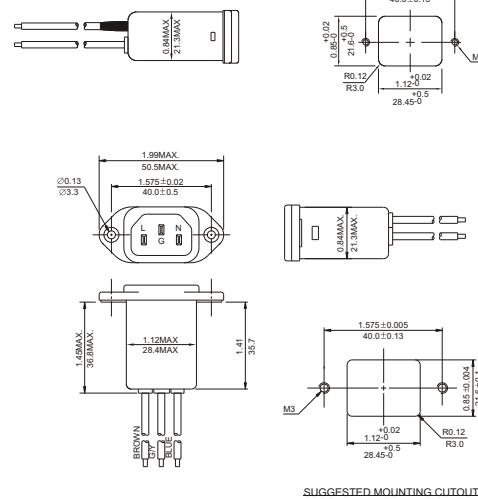


**MECHANICAL CONSTRUCTION**

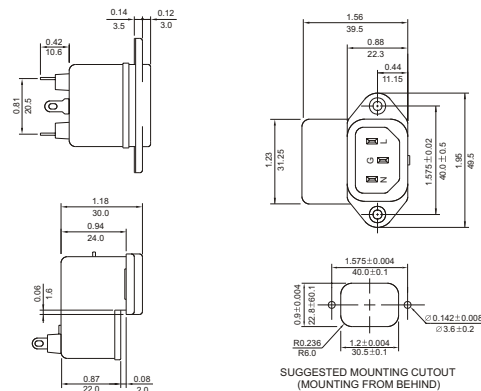
EW3J



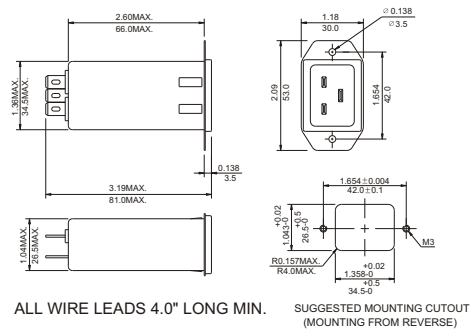
EW3ES



HG3J



20GEEG3E (Optional wire type)



ALL WIRE LEADS 4.0" LONG MIN.

UNIT:  $\frac{INCH}{mm}$